



POLYESTER ENCLOSURES



MAY 2007 - FIRST EDITION

I DIVISIÓN ELÉCTRICA S.A.
www.ide.es

Head office – Factory of plastic enclosures
Pol. Villanueva de Gállego, Sector 2, parcela H
E-50830 VILLANUEVA DE GÁLLEGO – ZARAGOZA (SPAIN)

Factory of metal enclosures and plugs & sockets
Pol. Los Huertos
50800 ZUERA – ZARAGOZA (SPAIN)

Tel. +34 976 451 080 - Fax +34 976 451 085
E-mail: ide@ide.es

INDEX

polyester enclosures



| | |
|-----------------------------|----------------|
| • 66 POLYESTER | pág. 4 |
| • Technical Features | pág. 5 |
| • References | pág. 6 |
| • Accessories | pág. 7 |
| • POLYESTER 55 | pág. 8 |
| • Technical Features | pág. 9 |
| • References | pág. 10 |
| • Accessories | pág. 10 |

66 POLYESTER

This series is made up of a series of cabinets manufactured in hot pressed Polystyrene reinforced with glass fibre, halogen free, RAL9002 grey colour, which gives the series a really high performance level.

These are protection degree IP66 cabinets, and are available in 7 different sizes. They are symmetric and reversible in many cases, thus obtaining a high degree of versatility for carrying all types of electric, pneumatic, hydraulic and communications installations, etc...

The base is manufactured in just one piece thus guaranteeing optimum interior space availability and increasing its resistance to impact.

Its double insulation characteristics guarantee maximum safety both for the installations and for the personnel.

TECHNICAL DATA

| | |
|---------------------------|---|
| Degree of protection | IP66 |
| Resistance to impact | IK10 |
| Auto-extinguishing degree | 960°C |
| Thermic class | 150°C |
| Materials | Hot moulded fibreglass reinforced polyester (GRP) |
| Greyish white color | RAL 9002 |

According to 2009/95/CE directive and UNE-EN 62208 and UNE-EN 60439-1-3 norms on affected parts.

CHARACTERISTICS OF THE MATERIAL

- **HIGH IMPACT STRENGTH:** Can take hits up to 20 Joules, IK10.
- **SELF-EXTINGUISHABLE:** Does not feed the flames.
- **DOUBLE ISOLATION:** Provides an excellent protection against contacts.
- **CORROSION RESISTANT:** Does not require any finishing or maintenance.
- **NON HYDROSCOPIC:** Does not absorb water.
- **EASILY MACHINED:** no special assembly tools are required.
- **EASY AND FAST FITTING:** Allows fast and easy fitting.
- **INSENSITIVE TO OUTDOOR ENVIRONMENT:** Resistant to climate changes.
- **LIGHT:** Comfortable and easy handling and installation.



APPLICATIONS

- Chemical and cement industry.
- Applied to regulate a water pump.
- Low voltage installations, general purpose cabinets for fitting on posts.
- Light, sound and hydraulic control.
- Access control and security systems.
- Weather stations, astronomical and their communications.



technical features



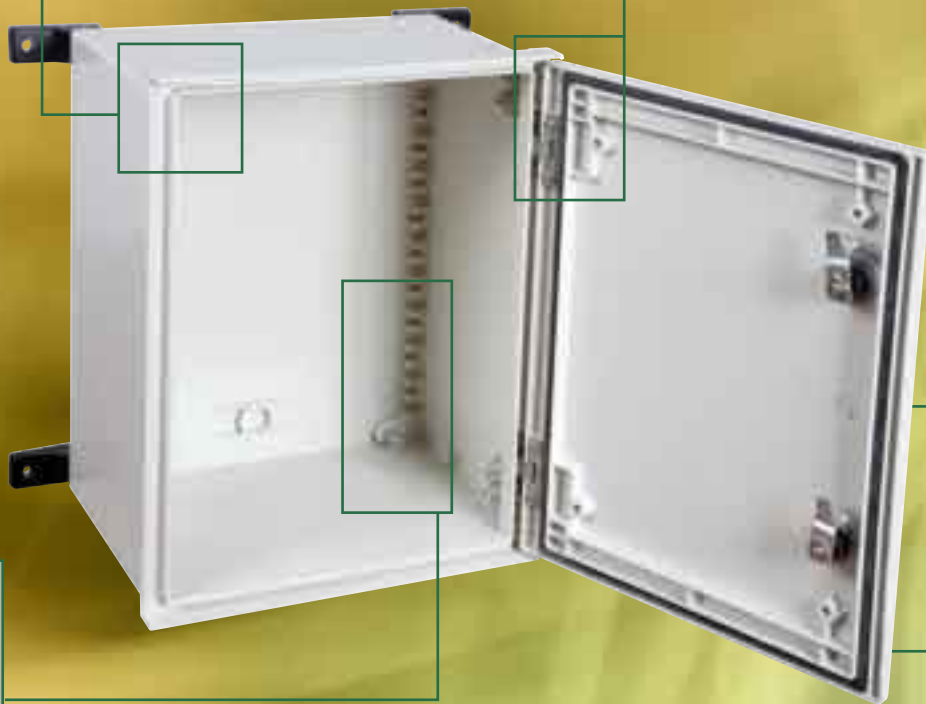
BUILT-IN / SURROUNDING PROTECTION EDGE

- Guarantee the possibility to open the door 180° in built-in installations.
- Avoid entrance of water while opening the door.
- Guarantee that the cabinet is straight in comparison with the surface.



INTERNAL ZAMAK HINGE

- 180° door opening warranted. Corrosion free.



EASY FITTING

- Quick fixture guides in the back.
- Permits fitting without drilling.



VARIOUS CLOSING SYSTEMS

- Double bit (Standard), triangular screw and manual with key lock.

66 POLYESTER



CABINETS FLAT DOOR

| STANDAR LOCK 2x double bit DIN 3,0 mm | |
|--|--------------|
| Commercial Ref. | Code |
| POL302514 | 29200 |
| POL403020 | 29201 |
| POL404020 | 29202 |
| POL504020 | 29203 |
| POL604023 | 29204 |
| POL605023 | 29205 |
| POL806030 | 29206 |

Supplied with all the necessary accessories for direct wall mounting

dimensions

| Commercial Ref. | A | B | C | D | E |
|------------------|-----|-----|-----|-----|-----|
| POL302514 | 300 | 250 | 140 | 276 | 212 |
| POL403020 | 400 | 300 | 200 | 370 | 262 |
| POL404020 | 400 | 400 | 200 | 370 | 362 |
| POL504020 | 500 | 400 | 200 | 470 | 362 |
| POL604023 | 600 | 400 | 230 | 570 | 362 |
| POL605023 | 600 | 500 | 230 | 570 | 462 |
| POL806030 | 800 | 600 | 300 | 770 | 562 |

PLATES

| POLYESTER BASE PLATE 4 mm thickness | | METAL BASE PLATE galvanized steel 2 mm thickness | | Cabinet Ref. |
|--|--------------|--|--------------|--------------|
| Commercial Ref. | Code | Commercial Ref. | Code | |
| PPL3025 | 29207 | PML3025 | 29214 | 300x250x140 |
| PPL4030 | 29208 | PML4030 | 29215 | 400x300x200 |
| PPL4040 | 29209 | PML4040 | 29216 | 400x400x200 |
| PPL5040 | 29210 | PML5040 | 29217 | 500x400x200 |
| PPL6040 | 29211 | PML6040 | 29218 | 600x400x230 |
| PPL6050 | 29212 | PML6050 | 29219 | 600x500x230 |
| PPL8060 | 29213 | PML8060 | 29220 | 800x600x300 |

dimensions

| Commercial Ref. | A | B | C | D |
|-------------------------------|-----|-----|-----|-----|
| PPL3025 PML3025 | 268 | 213 | 248 | 175 |
| PPL4030 PML4030 | 358 | 260 | 338 | 222 |
| PPL4040 PML4040 | 358 | 360 | 338 | 322 |
| PPL5040 PML5040 | 458 | 360 | 438 | 322 |
| PPL6040 PML6040 | 558 | 360 | 538 | 322 |
| PPL6050 PML6050 | 558 | 460 | 538 | 422 |
| PPL8060 PML8060 | 754 | 556 | 734 | 518 |



MODULAR CHASSIS

Made of a chassis, die cast plates and DIN profiles

| Commercial Ref. | Code | Modules | Rows | Cabinet Ref. |
|-----------------|--------------|---------|------|------------------|
| PCH4030 | 29244 | 24 | 2x12 | POL403020 |
| PCH4040 | 29245 | 36 | 2x18 | POL404020 |
| PCH5040 | 29246 | 54 | 3x18 | POL504020 |
| PCH6040 | 29247 | 54 | 3x18 | POL604023 |
| PCH6050 | 29248 | 69 | 3x23 | POL605023 |
| PCH8060 | 29249 | 116 | 4x29 | POL806030 |



SURFACE MOUNTING

| Description | Code |
|--|--------------|
| 4 wall fixing set with head-insulated screws | 29221 |
| 4 set of adjustable brackets | 29222 |



ADJUSTABLE BASE PLATE

Set of four profiles for the adjustment of the base plate, to different depths

| Description | Code |
|---------------------------|--------------|
| For 200 mm depth cabinets | 29223 |
| For 230 mm depth cabinets | 29224 |
| For 300 mm depth cabinets | 29225 |



CLOSING PLATE

Are used for the entrance of cables, cable glands, etc.

| Description | Code |
|---------------------------------|--------------|
| For 250 width (10 pcs. bag) | 29226 |
| For 350 width (10 pcs. bag) | 29227 |
| For 400/500 width (10 pcs. bag) | 29228 |



LOCKS

| Description | Code |
|--------------------------|--------------|
| Standard double bit lock | 29229 |
| Triangular screw 11 mm | 29230 |
| Manual with key lock | 29231 |
| Double bit key | 48449 |

55 POLYESTER

This series is made up of a series of cabinets manufactured in hot pressed Polystyrene reinforced with glass fibre, halogen free, RAL7035 grey colour, which gives the series a really high performance level.

These cabinets have an IP55 degree of protection, and are available in two depths, 300 and 420 mm, and are very versatile being able to use the same for carrying all types of electric, pneumatic, hydraulic and communications installations, etc...

Its double insulation characteristics guarantee maximum safety both for the installations and for the personnel.

TECHNICAL DATA

| | |
|---------------------------|---|
| Degree of protection | IP55 |
| Resistance to impact | IK10 |
| Auto-extinguishing degree | 960°C |
| Thermic class | 150°C |
| Materials | Hot moulded fibreglass reinforced polyester (GRP) |
| Grey color | RAL 7035 |

According to 2009/95/CE directive and UNE-EN 62208 and UNE-EN 60439-1-3 norms on affected parts.

CHARACTERISTICS OF THE MATERIAL

- **HIGH IMPACT STRENGTH:** Can take hits up to 20 Joules, IK10.
- **SELF-EXTINGUISHABLE:** Does not feed the flames.
- **DOUBLE ISOLATION:** Provides an excellent protection against contacts.
- **CORROSION RESISTANT:** Does not require any finishing or maintenance.
- **NON HYDROSCOPIC:** Does not absorb water.
- **EASILY MACHINED:** no special assembly tools are required.
- **EASY AND FAST FITTING:** Allows fast and easy fitting.
- **INSENSITIVE TO OUTDOOR ENVIRONMENT:** Resistant to climate changes.
- **LIGHT:** Comfortable and easy handling and installation.



APPLICATIONS

- Chemical and petrochemical sectors.
- Shopping centers and big buildings for energy and security installations.
- Urban areas, controlling public lighting systems, traffic lights, energy control, etc.
- Lighting, sound or hydraulic control systems.
- Water treatment plants for the equipment hydraulic, pneumatic and energetic controls.



technical features



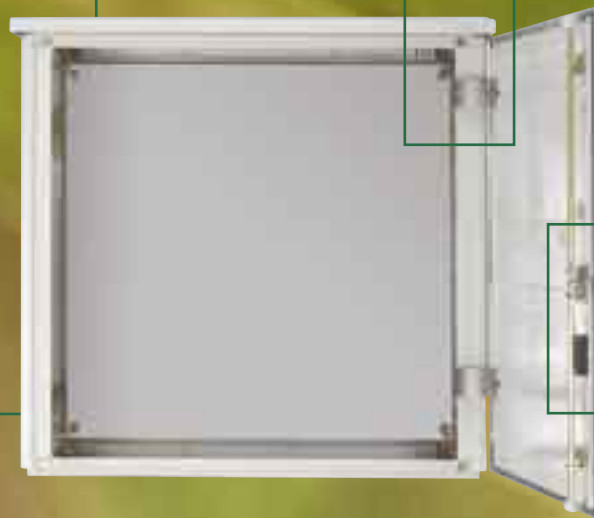
TWO DEPTHS

- Available in two depths 300 and 420 mm.



INTERNAL HINGES

- The internal hinges allow the door to be opened 105°.



FASTENING SYSTEMS

- Several basic fastening methods can be used: wall, surface and with pedestal.



VARIOUS LOCKING SYSTEMS

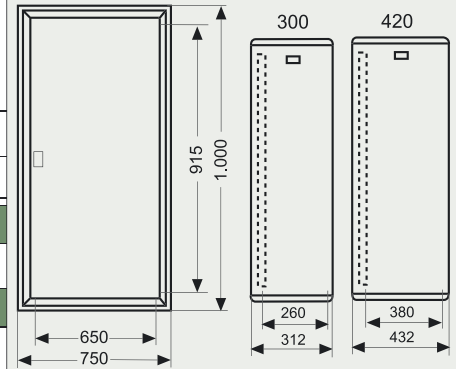
- Swing handle, double bit key lock, with key or triangular.

55 POLYESTER



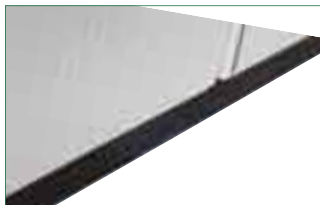
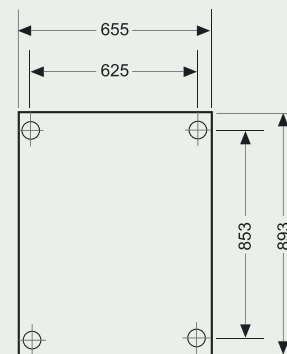
CABINETS FLAT DOOR

| PLAIN TOP | |
|---------------------------|--------------|
| Commercial Ref. | Code |
| POL1007530 | 29232 |
| Dimensions: 1.000x750x300 | |
| POL1007542 | 29233 |
| Dimensions: 1.000x750x420 | |



BASE PLATE

| Commercial Ref. | Code | Cabinet Ref. |
|---|--------------|--------------|
| PPL10075 | 29234 | 1.000x750 |
| Polyester base plate (fixed) (depth 300-420) | | |
| PML10075 | 29235 | 1.000x750 |
| Zincd metallic base plate (depth 300-420) | | |
| PPG1007530 | 29236 | 1.000x750 |
| Polyester base plate adjustable in depth and hinged (depth 300) | | |
| PPG1007542 | 29237 | 1.000x750 |
| Polyester base plate adjustable in depth and hinged (depth 420) | | |



STEEL PEDESTAL (painted in black)

| Description | Commercial Ref. | Code | Cabinet Ref. |
|---------------------------------|-------------------|--------------|---------------|
| 50 mm pedestal for 300 mm depth | ZOC1007530 | 29238 | 1.000x750x300 |
| 50 mm pedestal for 420 mm depth | ZOC1007542 | 29239 | 1.000x750x420 |



SURFACE BRACKETS

| Description | Code |
|---|--------------|
| Group of 4 brackets made of Zincd Steel | 29240 |



LOCKS with swing handle

| Description | Code |
|--------------------------|--------------|
| Standard double bit lock | 29241 |
| Triangular screw 11 mm | 29242 |
| Manual with key look | 29243 |
| Double bit key | 48460 |

general export sales conditions

These Sales Conditions are applied to all orders sent directly to **I DIVISIÓN ELÉCTRICA, S.A** main office. They shall also be applied to those orders requested to any Agent or Representative authorized by **I DIVISIÓN ELÉCTRICA, S.A.**

Sales prices will be those in force at the time of the order, specified in a Price List duly identified. Benefits and discounts agreed in each case will also be applied.

Our prices include a standard packing. Orders must always be multiple of IDE's standard packing units. **I DIVISIÓN ELÉCTRICA, S.A.** may apply its right to modify requested units of any reference if not properly adjusted to multiple of packing.

Prices are quoted under EXWORK terms. Other conditions must be agreed between the customer and **I DIVISIÓN ELÉCTRICA, S.A.** Any other ways, apart from the ones agreed, will be at the customer expenses. Minimum order requirements for shipments under FOB terms are of €2.100.

Goods will be delivered at the shortest possible time depending on the availability of the requested products. Partial shipments can be allowed in case of urgency of delivery. IDE is not liable for any possible lost or harm during the transport of goods. The customer should check the delivery note thoughtfully to ensure a correct reception of goods.

If a delivery date is given, goods are understood to be at the disposal of the BUYER at **I DIVISIÓN ELÉCTRICA, S.A** warehouse ceasing from any responsibility for lost or transport delay.

All orders will be understood as a buying offer confirmed by the customer to **I DIVISIÓN ELÉCTRICA, S.A.**

Returned material must always be authorized by the Commercial Department of **I DIVISIÓN ELÉCTRICA, S.A.** Authorized returns should travel free of transport expenses to our warehouse, deducting transport cost in a corresponding credit note. In any case, return should

be done within a maximum period of 30 days from the date of the order, unless there is a special agreement. All returned goods will have a minimum depreciation of 15% of its value due to reviewing and setting of service. This depreciation could be higher according to its conditions and manipulation.

Stipulated price will be paid by the BUYER in the due date. In the case of **I DIVISIÓN ELÉCTRICA, S.A.** accepting any payment postponement, the BUYER undertakes to accept subsequent rates and expenses.

All goods delivered are property of **I DIVISIÓN ELÉCTRICA, S.A.** until their full payment has been done. **I DIVISIÓN ELÉCTRICA, S.A.** does not accept any economic penalty due to delay in delivery time, unless there is a written and accepted agreement indicating it.

All goods manufactured by **I DIVISIÓN ELÉCTRICA, S.A.** have a GUARANTEE according to actual directives. In order to benefit from it, the BUYER must immediately acknowledge the detected anomaly to **I DIVISIÓN ELÉCTRICA, S.A.**

I DIVISIÓN ELÉCTRICA, S.A. is committed to replace without any charge defective goods, which will remain property of **I DIVISION ELECTRICA, S.A.** in order to analyze and correct appeared defects.

The GUARANTEE does not include products deteriorated by handling or inadequate assembly, improper storage or maintenance, or those products that have suffered any modification without previous written authorization by **I DIVISIÓN ELÉCTRICA, S.A**

In case of litigation the BUYER will submit to the Jurisdiction of the Courts of Zaragoza – Spain, with renounce to any other law-code.



I DIVISIÓN ELÉCTRICA S.A.
www.ide.es

Head office – Factory of plastic enclosures
Pol. Villanueva de Gállego, Sector 2, parcela H
50830 VILLANUEVA DE GÁLLEGO – ZARAGOZA (SPAIN)

Factory of metal enclosures and plugs & sockets
Pol. Los Huertos
50800 ZUERA – ZARAGOZA (SPAIN)

Tel. +34 976 451 080 – Fax +34 976 451 085
E-mail: ide@ide.es